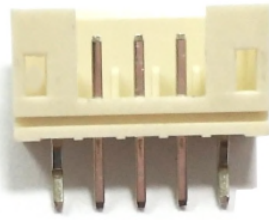


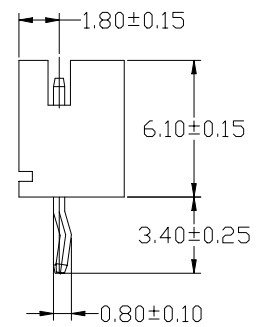
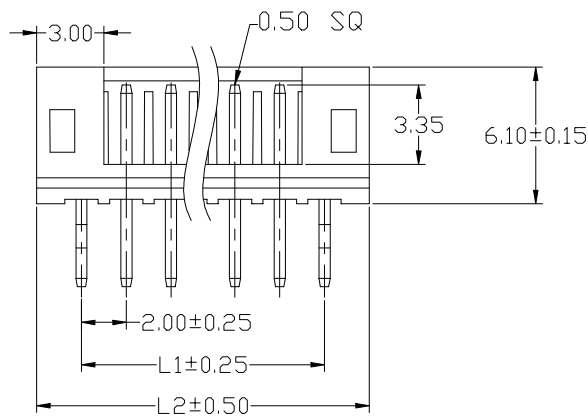
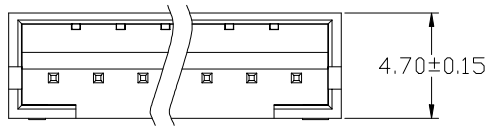
2.0 Series

Pin Header



SPECIFICATIONS

Current Rating:
1 Amps
Voltage Rating:
100V
Insulator resistance:
1000 Megohms Min.
Contact Resistance:
20m ohms Max
Dielectric withstanding:
AC 500 V
Operating Temperature:
-25° C - +85° C
Contact Material:
Brass
Insulator Material:
Nylon-66+15%GF UL94V-0
Color:white
Finish:
Tin plated



W 1 1 4 0 - X X S 1 0 - 0 1 T

Number of Contact

Appearance of pin header
S10: Straight
R10: Right angle
M10:SMT

Plating material
G Gold Plated
T Tin Plated
H Duplex Plated

Plating thickness
01 Normal
02 High temperature