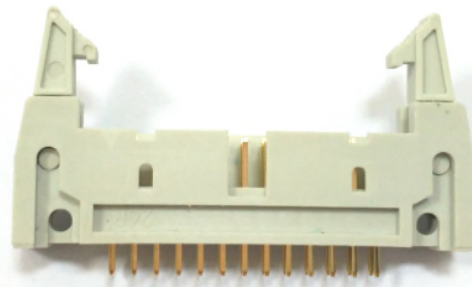


# 2.54 Series

## Box Header



### SPECIFICATIONS

**Current Rating:**

1 Amps

**Insulator resistance:**

5000 Megohms Min.

**Dielectric withstanding:**

AC 500 V

**Operating Temperature:**

-40° C - +85° C

**Contact Material:**

Brass

**Insulator Material:**

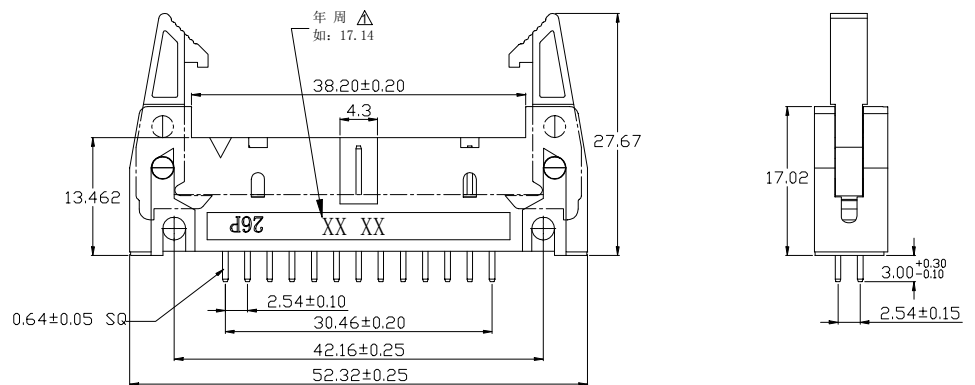
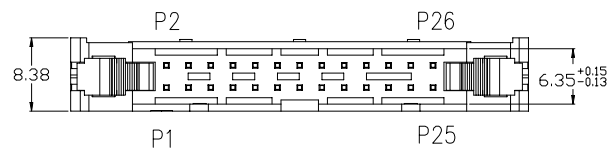
P. B. T UL94V-0

Color: Gray

**Finish:**

2mm this area is covered with 1u" gold.

The rest of the area is gold flash over 50-150u" Nickel



**B 6 9 8 2 - 2 6 S 1 0 X - X X X**

**Insulator material**  
 N: Nylon-6T  
 B: PBT  
 L: LCP  
 D: NY66

**2.54 Box Header**

**Number of Contact**

**Color**

**Appearance of pin header**  
 S10: Straight  
 D10: Right angle  
 M00: SMT

**Plating material**  
 G Gold Plated  
 T Tin Plated  
 H Duplex Plated

**Plating thickness**  
 01 Normal  
 08 8u"  
 15 15u"