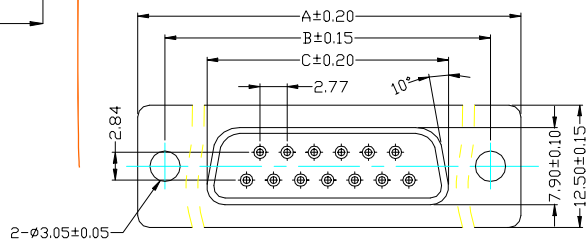
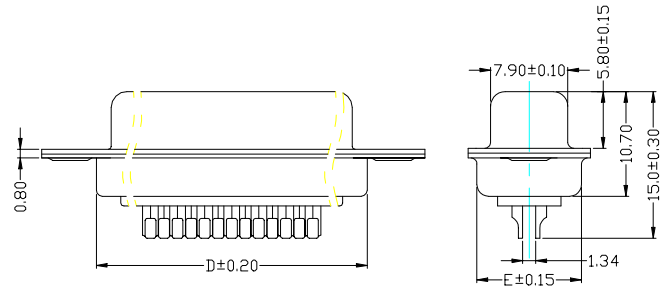
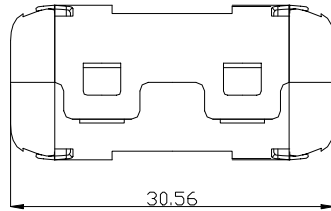
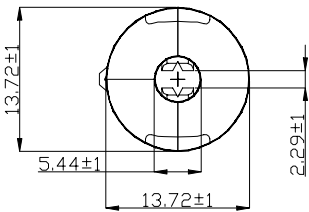
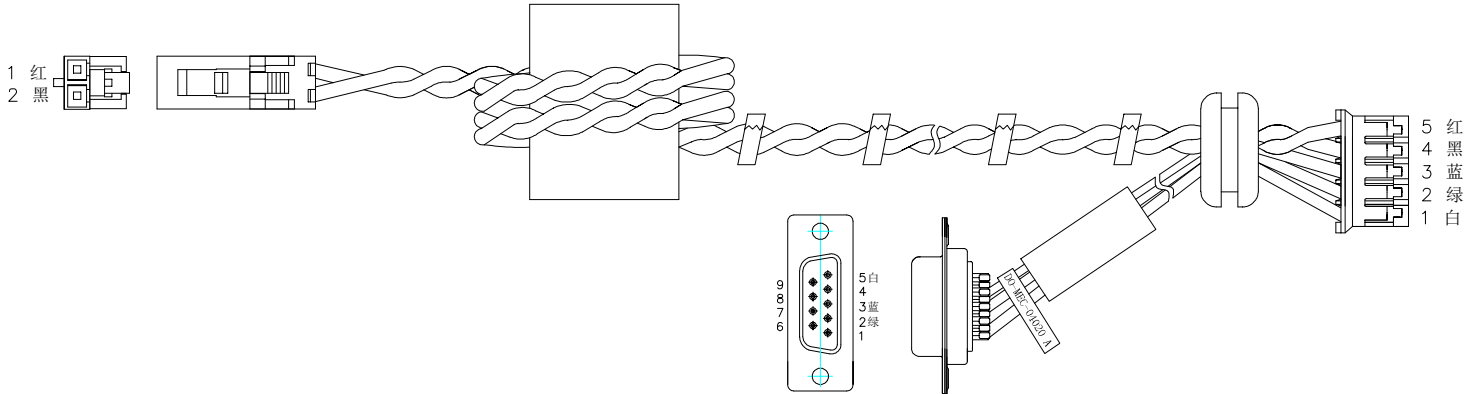


2.77mm



D F 7 5 0 2 - X X X 1 0 B - 0 1 H

Number of Contact

Color

Appearance of pin header
S10: Straight
D10: Right angle

Plating material
G Gold Plated
T Tin Plated
H Duplex Plated

Plating thickness
01 Normal
08 8u"
15 15u"